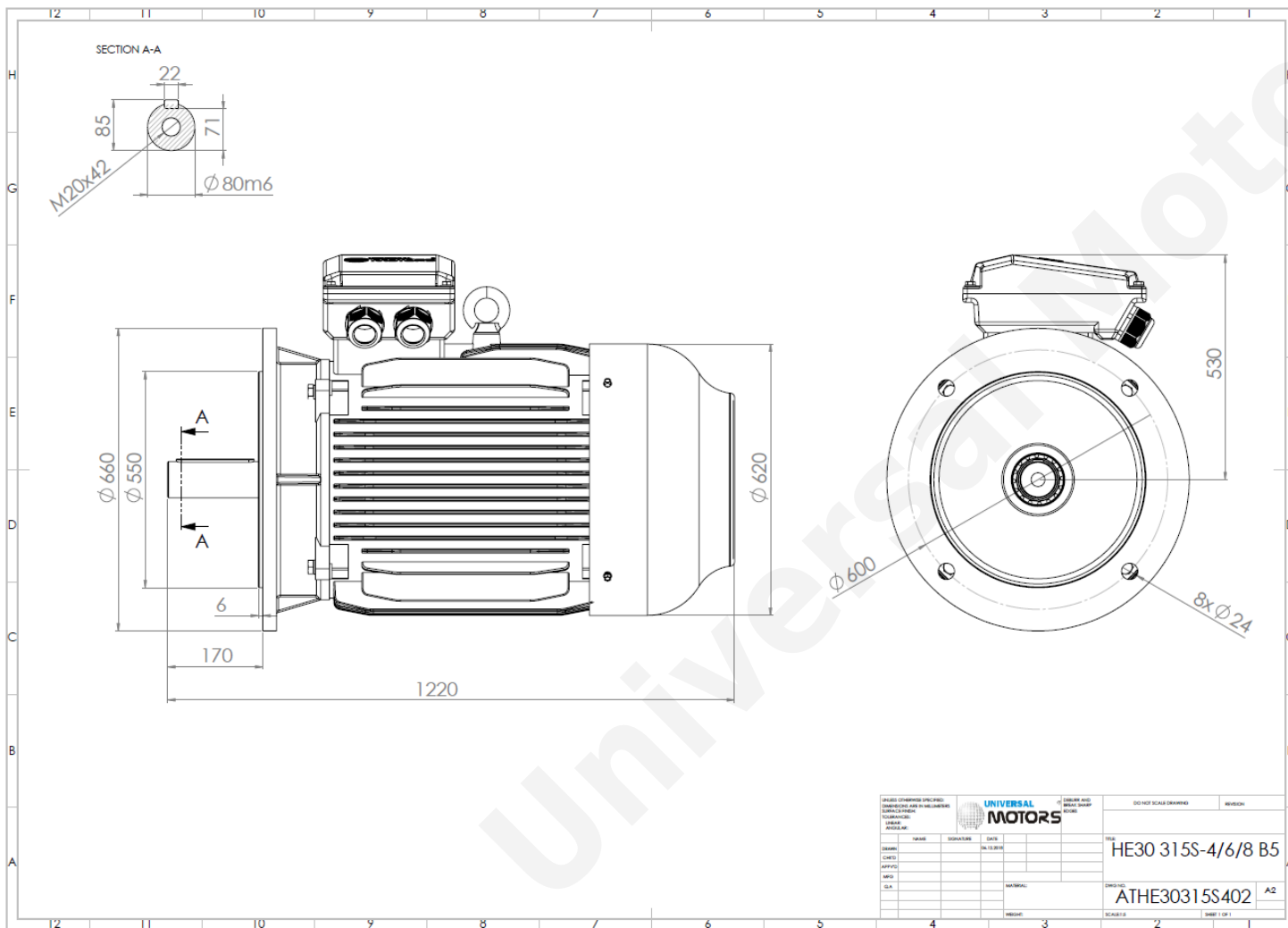




TECHNICAL DATA

Three Phase Electric Motors - Cast Iron Frame
 HE30 315S-4 IE2
 110 kW / 150 Cv
 1480 RPM



| | |
|---|------------------------|
| Motor type: | HE30 315S-4 IE2 |
| Output: | 110 kW / 150 Cv |
| Speed (min^{-1}): | 1480 RPM |
| Frequency: | 50 Hz |
| Voltage: | 400 V |
| Current: | 191 A |
| Power factor ($\text{Cos } \varnothing$): | 0.88 |
| Poles: | 4 |
| Insulation class: | F |
| Temperature rise Class: | B |
| Efficiency 50%: | 93.8 % |
| Efficiency 75%: | 95.0 % |
| Efficiency 100%: | 94.5 % |
| Torque: | 710 N.m |
| Tstarting/Tnominal: | 2.0 |
| Istarting/Inominal: | 7.1 |
| Tmaximum/Tnominal: | 2.2 |
| Noise: | 77 Db(A) |
| Weight: | 898 Kg |
| Bearing DE: | NU 319 |
| Bearing NDE: | 6319 C3 |

| | | | | | |
|--------------------|------|------------------|------|------------------|------|
| UNIVERSAL MOTORS | | UNIVERSAL MOTORS | | UNIVERSAL MOTORS | |
| DESIGNER | DATE | REVISION | DATE | REVISION | DATE |
| HE30 315S-4/6/8 B5 | | | | | |
| ATHE30315S402 | | | A2 | | |

Regime - S1

Altitude - 1000m

Environment Temperature - 40°C

CONTACTS:

UNIVERSAL MOTORS Tel: +351 252 299 080
 Rua de São Brás,745 Fax: +351 252 299 089
 4480-782 VILA DO CONDE Mail: geral@universalmotors.pt

* References applied only in the UK